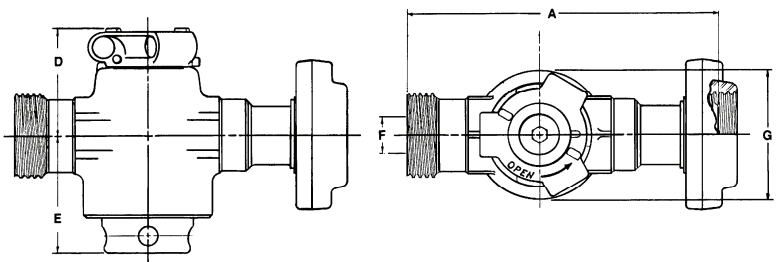




TARGET PLUG VALVE

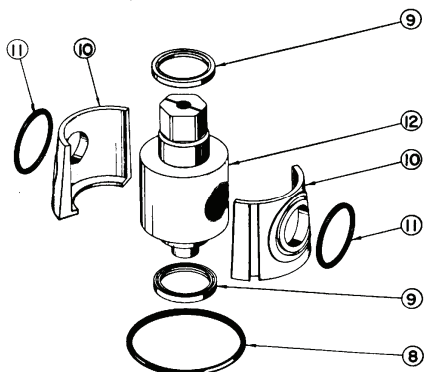
- FEATURES:**
- Proven Design for Manifolding and Controlling High Pressure Fracturing, Acidizing, and Cementing Flowback and Well-Testing
 - Low Torque - 1/4 Turn for open or close
 - Available Union, Threaded, or Flange Ends
 - Parts Interchange with other like OEM's
 - Pneumatic or Hydraulic Actuators are available
 - Available for H2S (NACE) Service
 - In-Line Maintenance or Repair



TARGET VALVE SPECIFICATIONS

VALVE SIZE	END CONNECTIONS	WORKING PRESSURE	SERVICE	Wt LBS	A	D	E	F	G
1"	1" 1502 FxM	15,000	STANDARD	42	10.56	4.69	4.56	1.00	5.38
1"	2" 1502 FxM	15,000	STANDARD	52	10.56	4.69	4.56	1.00	5.38
2"	2" 1502 FxM	15,000	STANDARD	97	13.88	5.34	5.50	2.06	7.00
2"	2"LP FEMALE	10,000	STANDARD	75	8.50	5.34	5.50	2.06	7.00

AVAILABLE FOR H2S SERVICE



TARGET VALVE Replacement Parts List

No.	Description	Qty	Std Service	H2S Service
8	Adj Nut O-Ring	1	Buna N	Nitrile
9	Plug Stem Seal	2	Buna N	Nitrile
10	Inserts (2 per set)	1	Ductile Iron	Ni Alum Brz
11	Insert O-Ring	2	Buna N	Nitrile
12	Plug	1	17-4 PH	17-4 PH
	Seal Kit 8,9,11	1		
	Repair Kit 8-12	1		